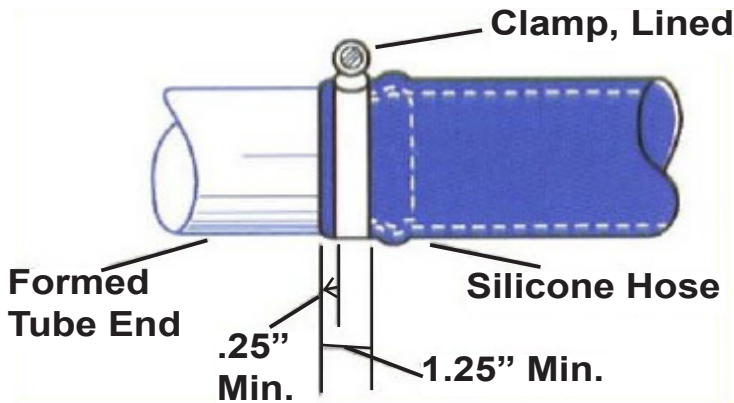


# PUROSIL Clamping Bulliten

## Clamping Instructions



### Worm Gear Liner Clamps

Worm gear or constant torque type stainless steel clamps with inner liner are recommended for silicone heater and coolant hose.

Initial clamp torque should be **40 inch-lbs.** If re-torquing is required, it should be limited to 20 inch-lbs.

Do not use serrated, slotted, or wire type clamps. Recommended bead specifications MS-33660 or SAE J 1231

### NOTICE

Liner Clamps protect the outer Hose covering

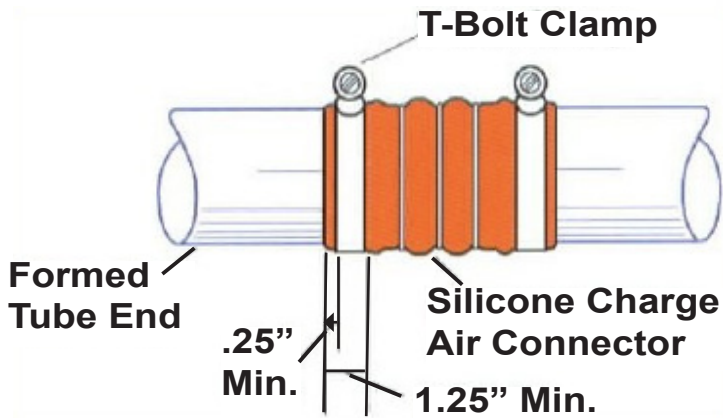


### Constant Torque Clamps

Constant torque T-bolt style clamps help to retain clamp load.

**Torque to 70-75 in - lbs.**

**Note:** For Charge Air Cooler Hose (CAC) use only T-bolt style clamps. Recommended bead specifications are MS-33660 or SAE J 1231.



### NOTICE

Liner Clamps protect the outer Hose covering



For More Information Contact:  
Tieco International

[sales@tieco.com.au](mailto:sales@tieco.com.au)