

TSE Digital Catalog



Presenting
the Full
Line of
Spring
Brakes
from
TSE
Brakes

QS 9000

Quality System

CERTIFIED

ISO 9001

TSE Brakes, Inc.

(559) 485-3330

Toll-free in the US:

(800) 722-5721

www.tsebrakes.com



TSE Digital Catalog

Digital Catalog Contents:

Page 2 - Digital Catalog Contents

Page 3 - Omnibrake/Omnibrake Double

Page 4 - Omnibrake Standard Features & Benefits (cont.)

Page 5 - Omnibrake Standard Features & Benefits (cont.)

Page 6 - Omnibrake A (Aluminum)

Page 7 - Service Chambers

Page 8 - European Omnibrake

Page 9 - Omnibrake XL

Page 10 - Omni-Tex Breather Cap

Page 11 - Omnibrake H.O.T. - High Output Technology

Page 12 - Omnibrake H.O.T. - Features & Benefits

Page 13 - New Performance

Page 14 - Warranty Information

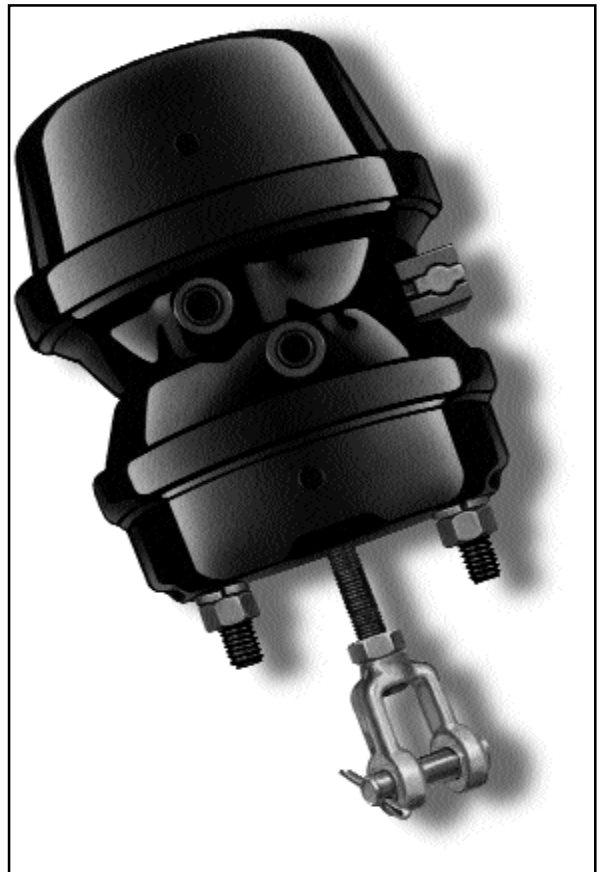
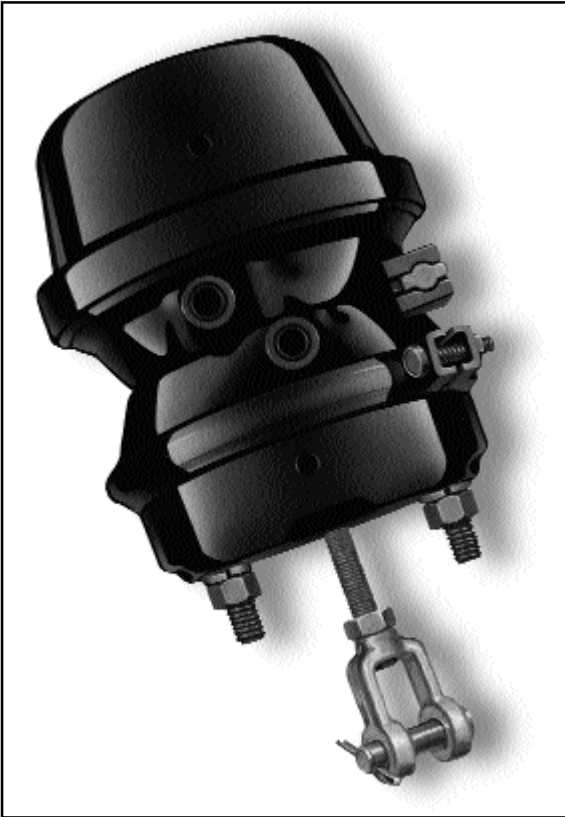
Page 15 - Ordering Information

TSE Digital Catalog

Omnibrake

Tandem
3030T-OMNI

Single
3030S-OMNI

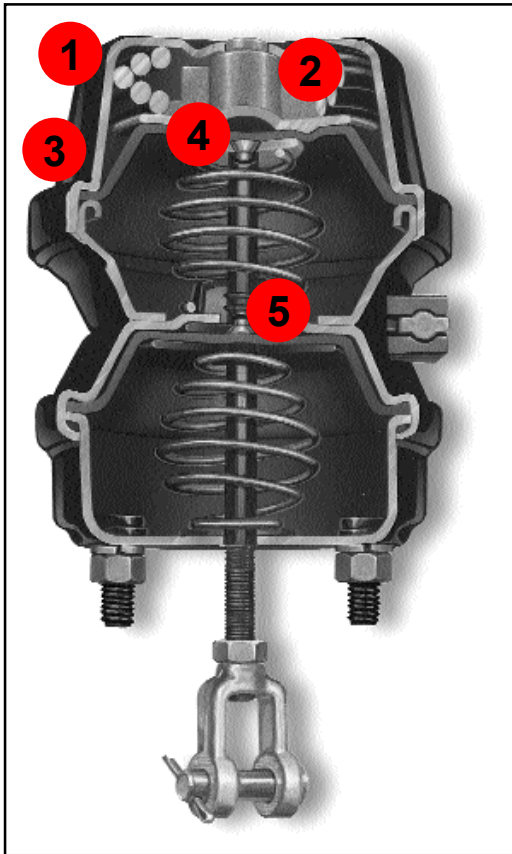


Omnibrake **Double**

3030T-OMNI-DBL

TSE Digital Catalog

Omnibrake Standard Features & Benefits



1 - Electrodeposition coating

Complete in-house advanced 8 stage pre-treatment electrodeposition coating for maximum corrosion protection. This coating provides critical advantages when compared to ordinary electroplating and powder coating methods.

2 - Main power spring

To help prevent premature breakage and extend fatigue life, our main power springs are made from a chrome silicon pre-tempered wire, shot-peened and specially coated over a phosphate base to control corrosion.

3 - Patented welded spring housing

Tamper-resistant and completely sealed with a unique precision weld, joining the steel center section and steel housing.

4 - Self-guided press plate

TSE's self-guided press plate aligns the pressure plate in the center of the push rod housing, ensuring a straight line of force and ultra-smooth operation over an extended life of the brake.

USA Patents*

5,285,716

5,758,564

5,791,232

5,829,339

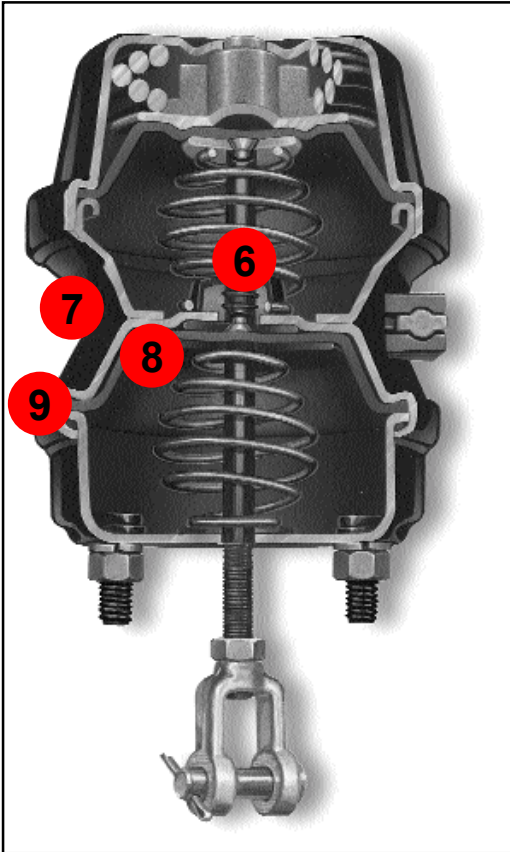
6,129,004

6,131,501

* Product may be covered under one or more of the listed patent numbers. Other U.S. and foreign patents pending.

TSE Digital Catalog

Omnibrake Standard Features & Benefits



5 - Patented center seal assembly

TSE has developed the exclusive Center Seal Retainer Assembly, which features a plastic seal bushing that is formed from molybdenum Disulfide Thermoplastic resin, lubricated, and compounded with properties that include enhanced strength, toughness and lubricity.

6 - Double O-ring seals

The solution to leakage problems, the dual O-ring seal lasts up to twice as long and provides the best possible leak protection.

7 - Zero porosity

All-steel, air-tight center section reduces structural problems that can occur with aluminum parts.

8 - Premium diaphragms

High quality contaminate-resistant rubber, nylon-reinforced fabric and improved coverage of rubber over fabric tested to two million cycles.

9 - Fully-sealed units available

The Omnibrake is available with a clamp type service section or fully sealed (shown at left), offering a reduced profile and increased tamper resistance.

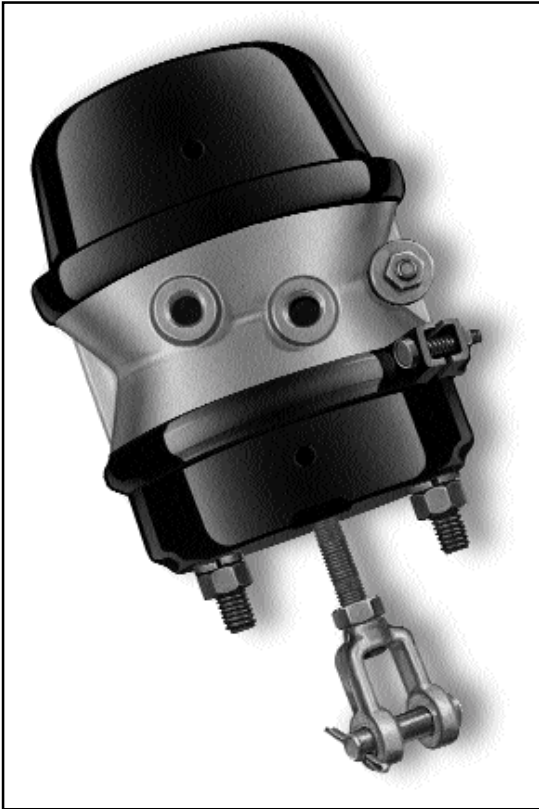


Single units and custom configurations available

Product information and specifications subject to change without notice

TSE Digital Catalog

Omnibrake A (aluminum)



STANDARD STROKE

Tandem

2024T-OA	2424T-OA
2430T-OA	3030T-OA

Single

2024S-OA	2424S-OA
2430S-OA	3030S-OA

LONG STROKE (3")*

*(LS models have square ports)

Tandem

2430T-OA-LS	3030T-OA-LS
-------------	-------------

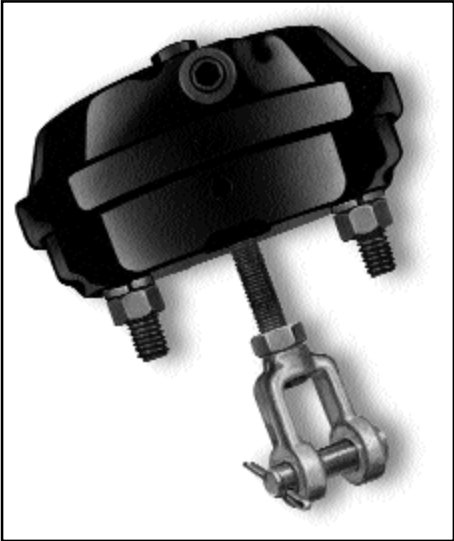
Single

2430S-OA-LS	3030S-OA-LS
-------------	-------------

Omnibrake Aluminum Features and Benefits

The patented Aluminum Omnibrake A uses the same proven Omnibrake welding process featuring an aluminum center section.

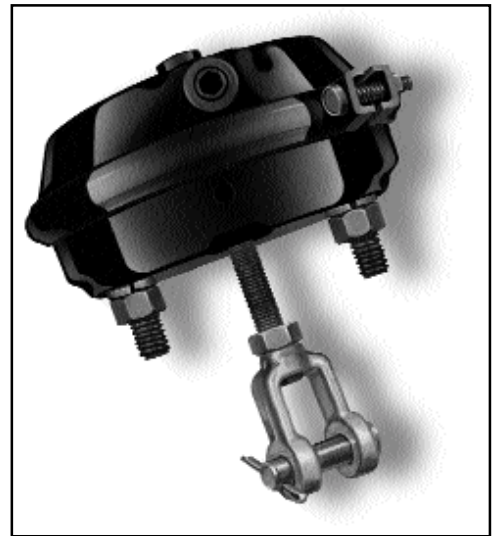
TSE Digital Catalog



Sealed Service Chamber
30002PC

Clamped Service Chambers

- 1200SC**
- 1600SC**
- 2000SC**
- 2400SC**
- 2400SC-LS**
- 30002SC-LS**
- 30002SC**
- 36000SC**



Remote Mount Spring Chamber
30RPCTSE

TSE Digital Catalog



Omnibrake Metric Long Stroke Unit

2430MT-OA-LS

Designed specifically for the European market.

TUV Approved.

Other sizes and strokes available.

TSE Digital Catalog

NEW!

Omnibrake XL
“Bulletproof Blue”
triple coating for
extended life

Extended
6 year
warranty



Tandem
3030TN2-XL



Long Stroke
3030TA3-XL

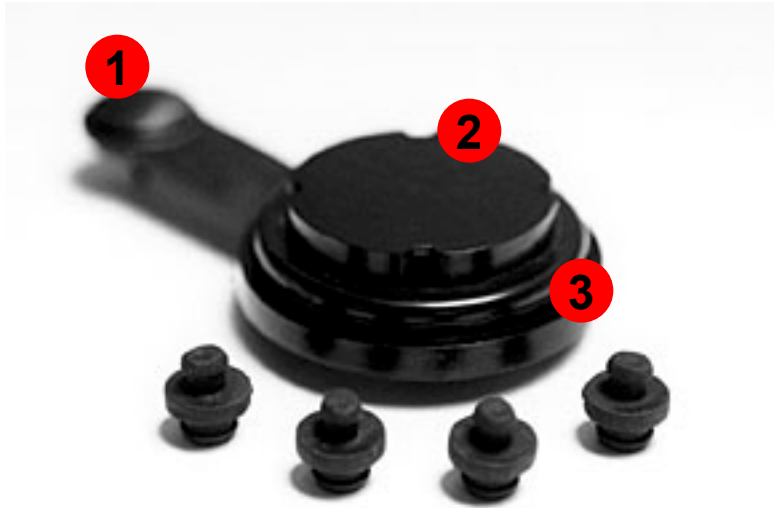
Omnibrake XL Features and Benefits

The new Omnibrake XL Series features all the standard Omnibrake features along with a newly designed main spring, an improved housing seal, and a tough new “Bulletproof Blue” powder coating. This triple coating is applied over the Omnibrake’s existing quality e-coat finish and 8 stage pretreatment layer for the best corrosion protection available in a spring brake chamber worldwide. All of these improvements come backed by an extended six-year warranty.

TSE Digital Catalog

NEW! ***Omni-tex*** ***Breather Cap***

Available now in a retrofit kit to fit most major brands of spring brake chambers, or as an option on new TSE Omnibrakes



New Breather Cap Filtration System ***From TSE Fights Spring Brake Corrosion***

Easy as 1 2 3 . . .

- 1** Replaces your existing dust cap
- 2** Tough ABS plastic outer casing
- 3** Membrane filters out contaminants

TSE Digital Catalog

Omnibrake H.O.T. High Output Technology



*European sizes**

1616HTLD64
1816HTLD64
1624HTLD64
1824HTLD64
2024HTLD64
2224HTLD64
2424HTLD64
2724HTLD64
2727HTLD64
2430HTLD64
2730HTLD64
3030HTLD64
3333HTLD64

Service Chambers

16HSCD64
18HSCD64
20HSCD64
22HSCD64
24HSCD64
27HSCD64
30HSCD64
33HSCD64

*According to piston brake nomenclature. Also available in 76 stroke.

TSE Digital Catalog

Omnibrake H.O.T. High Output Technology



U.S. sizes*

24SCN3

3036HTL3

3036HTL2

3336TL3

3040HTL3

3340HTL3

Service Chambers

24SCN2

27HSCL2

30SCL2

30SCL3

33HSCL2

24SCN3

27HSCL3

30SCN2

30SCN3

33HSCL3

* According to traditional U.S. sizes.
Other sizes available.

Omnibrake H.O.T. Features and Benefits



The new Omnibrake H.O.T. features all the standard Omnibrake features along with specially sealed disc and cam brake configurations.

H.O.T. is available in multiple sizes in a lighter, shorter, more versatile, all steel design, at a much lower cost.

TSE Digital Catalog

New Performance

Remanufactured Spring Brake Chambers with triple coating for the ultimate in corrosion protection at a lower cost.



TSE

Tandem

XTSE2430T

XTSE3030T

Single

XTSE2430S

XTSE3030S

ANCHORLOK

Tandem

X2424SB

X2430SB

X3024SB

X3030TNT

Single

X2424PB

X2430PB

X3024PB

X3030SNT

MGM

Tandem

XSG30ET

Single

XSG30ES

TSE Digital Catalog

TSE Brakes New Product Warranty

TSE Brakes, Inc., Fresno, California warrants all new products manufactured by TSE Brakes to be free from material and labor defects for the time specified as follows:

3 YEARS on OMNIBRAKE, OMNIBRAKE HOT, OMNI-A Models and Service Chambers

6 YEARS on OMNIBRAKE XL EXTENDED LIFE Models*

***Excludes severe service applications. Warranty of 3 years will apply.**

LIMITATIONS & CONDITIONS

- 1. The responsibility of TSE Brakes is limited to the replacement of products only. TSE Brakes will not be responsible for any other claim.**
- 2. TSE Brakes distributors are authorized to replace products under warranty.**
- 3. Warranty will not apply to product which has been subjected to misuse, improper installation, accident or physical damage.**
- 4. This warranty is expressly in lieu of all other warranties either expressed or implied. All other warranties, expressed or implied, including any warranty of merchantability or fitness for a particular purpose, are hereby excluded.**
- 5. Major fleet extended warranties may be available to qualified major fleets who agree to certain conditions and requirements contained in the "TSE Major Fleet Agreement" document #TFL02-0900. Please see your TSE factory sales representative for details.**

TSE Digital Catalog

Contact Information

For the name of the nearest **TSE Omnibrake** distributor, contact us at:

Main office: 3183 S. Parkway Drive, Fresno, CA 93725, USA
Phone: (559) 485-3330 or toll-free in the US: (800) 722-5721
Fax: (559) 485-5998

Other warehouse locations:

Indianapolis, IN; Portland, OR; San Luis, AZ
In Canada: Vancouver, BC; Toronto, ON

Look for us on the world wide web at: www.tsebrakes.com

E-mail questions to: info@tsebrakes.com

For technical information on any of our products contact TSE Brakes Engineering Department at engineering@tsebrakes.com

NOTE: Product information and specifications subject to change without notice.